

Female Header

Single / Dual Row; Straight DIP Type
1.27mm双排排母/直插

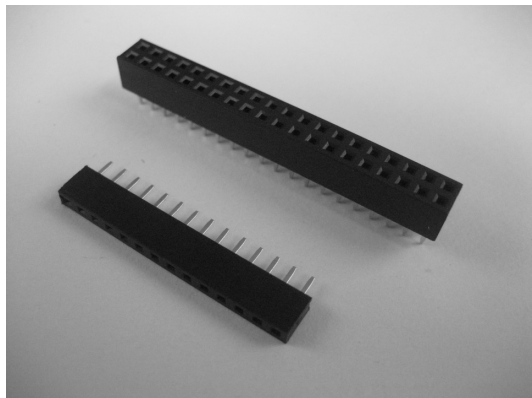
Pitch: 1.27mm

Series

232 / 233
234 / 235



Http://www.lyconn.com

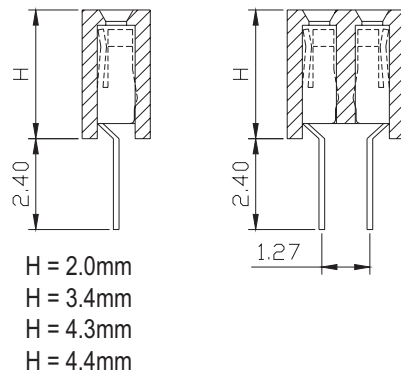
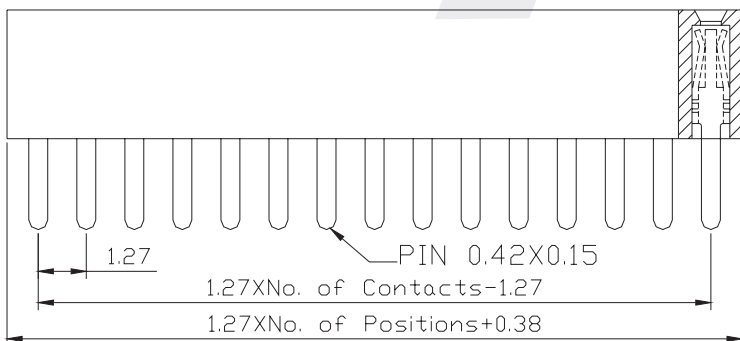
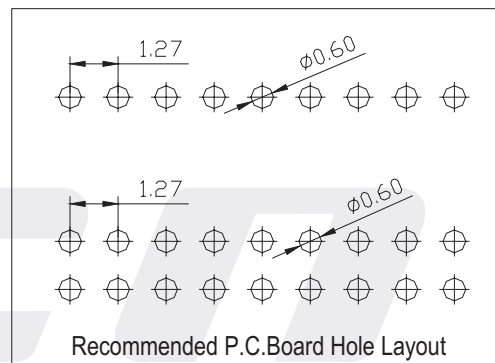
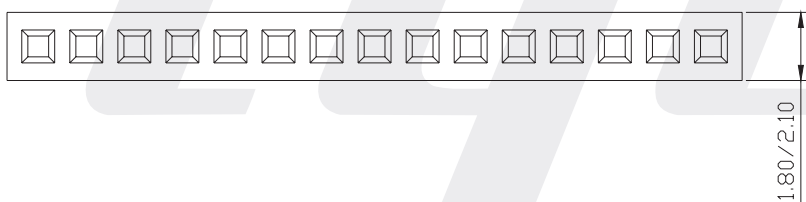
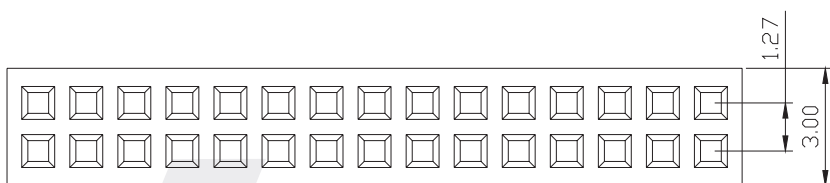


SPECIFICATIONS (技术参数):

Current Rating (额定电流): 1.0 A
Contact Resistance (接触电阻): 30mΩ Max
Insulation Resistance (绝缘电阻): 1000MΩ Min
Withstand Voltage (耐压值): 300VAC/minute
Operation Temperature (工作温度): -40°C to +105°C

MATERIALS (材质):

Contact Material (接触件材质): Copper Alloy
Contact Plating (接触件电镀): Gold or Tin over 50 μ " Ni
Insulator Material (绝缘体材质): Polyester(UL94V-0)
Standard: PA 46



Ordering Code

①②③④⑤⑥⑦⑧⑨⑩
2 3 X X XX S X X 1 0

① Series No.:
2= Female Header

② Pitch: 3= 1.27mm

③ Insulator Height:
2 = 2.0mm
3 = 3.4mm
4 = 4.3mm
5 = 4.4mm
6 = 4.6mm

④ Dip Spacing:
1=Single row
2=Double row

⑤ Number of Contacts:
Single row = 01 to 40
Double row = 02 to 112

⑥ Tail & Mounting Style:
S= Straight DIP type

⑦ Contact Plated
0= Tin
1= Gold Flash
2= Gold 3u"
3= Gold 5u"
4= Gold 10u"
5= Gold 15u"
6= Gold 30u"

⑧ Material Type
0= PPS
1= PBT
2= LCP
3= Nylon-66
4= Nylon-6T
5= PA46

⑨ Color: 1= Black

⑩ Customer Request

Due to technical progress, all the information provided is subject to change without prior notice.